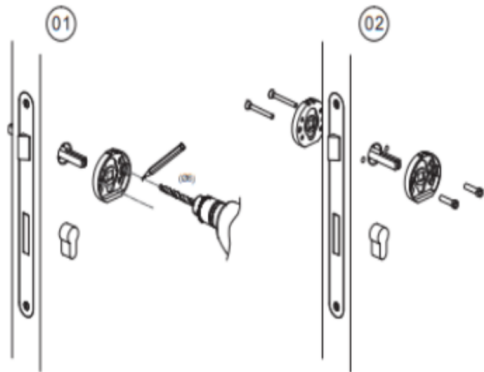
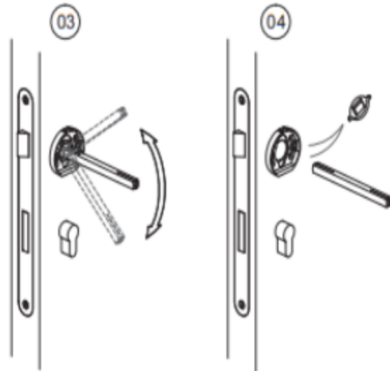


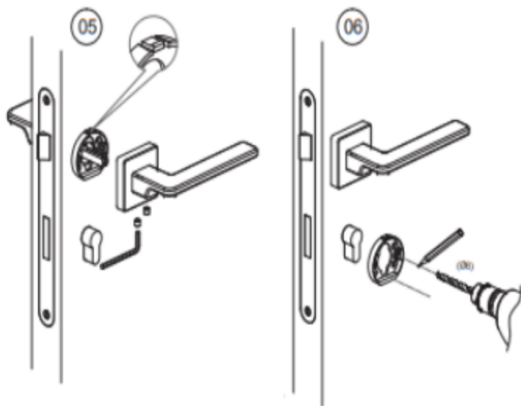
## Back to back assembling instructions



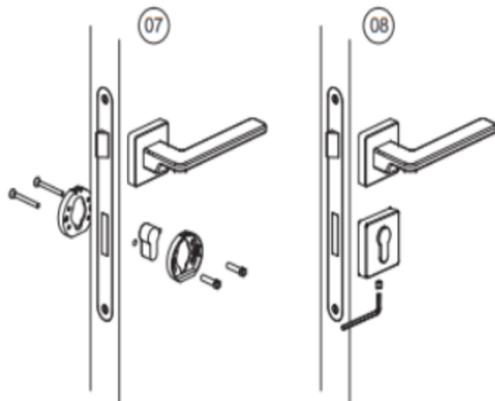
After making markings, please drill the surface of the interior of doors stile in 90 degrees angle. Screw in the mounting washers with the supplied screw and socket



Take out square rods and use it to strip the steering washer that sits in the middle of the mounting washer



Center the square rod again. Check that the hollowed-out part of the spar is positioned correctly so that it will meet the stop screw in the handles. Press the handles firmly so that it clicks into the heel on the upper side of the mounting washers. Tighten with the allen key all 4 screws. The smaller stop screws must be mounted in the rosettes, while the larger ones must be mounted in the handle itself



Screw in the mounting washers with the supplied screws. Center the square rod in the lace. Press the outer parts so that it clicks into the base on the upper side of the mounting washers. Screw in and tighten all stop screws